

Docking Station and Dolly Maintenance & Service

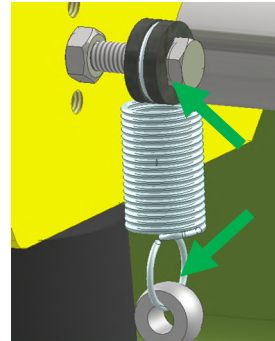
This section will describe service procedures for major mechanical elements of a Docking Station or Dolly.

⚠ WARNING ⚠

- Only qualified and trained personnel should perform the disassembly and assembly of electrical and mechanical components.
- Before attempting any maintenance on this equipment all involved personnel should follow plant internal regulations along with any state, federal, or province regulations. Do not begin any repair procedure until the proper shutdown procedures and the appropriate power lockout procedures have been applied.

Replacing the Docking Station Tension Spring

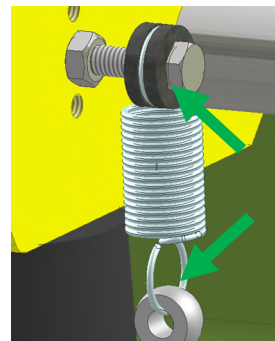
- 1 Dismantle the ends of the tension spring.



- 2 Remove and replace the tension spring.

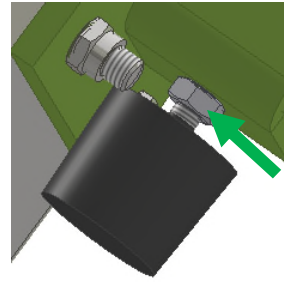


- 3 Install the ends of the tension spring.



Replacing the Docking Station Rubber Bumper

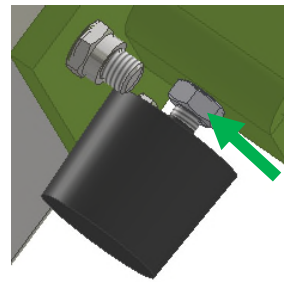
- 1** Unscrew hexagonal locknut M10.



- 2** Remove and replace rubber bumper.



- 3** Tighten hexagonal locknut M10.

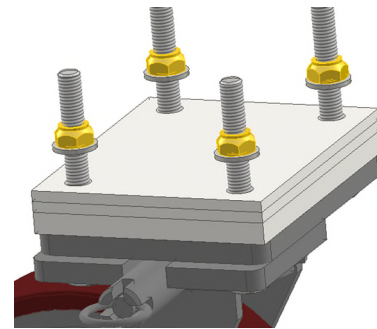


Replacing the Pull-Off Dolly Castor Wheel

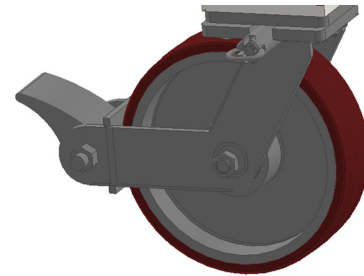
- 1 Jack up the castor wheel.



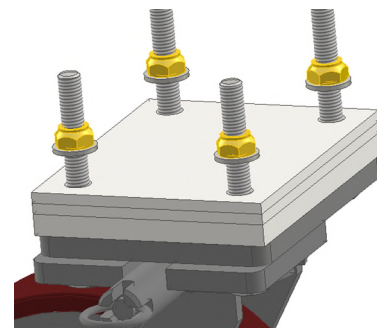
- 2 Remove hexagonal nuts M10 (4) and washers.



- 3 Replace castor wheel assembly.

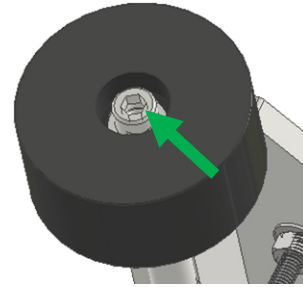


- 4 Replace and tighten hexagonal nuts M10 and washers.

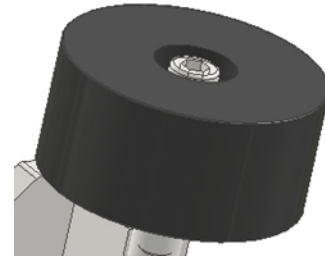


Replacing the Pull-Off Dolly Guide Roller

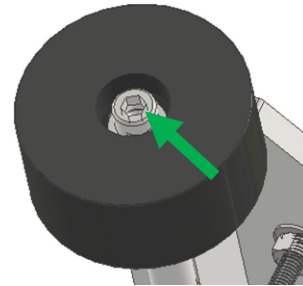
- 1** Remove the Allen screw.



- 2** Replace the roller.

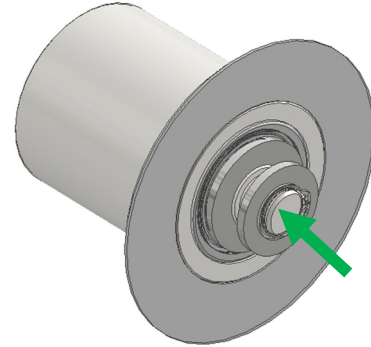


- 3** Replace and tighten the Allen screw.

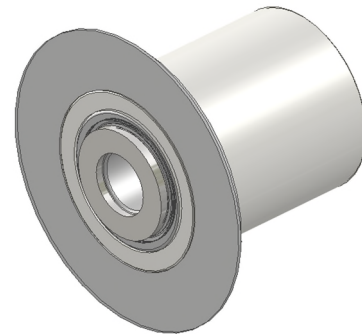


Replacing the Pull-Off Dolly Roller

- 1** Remove the retainer and pin.



- 2** Replace the roller.



- 3** Replace the retainer and pin.

