

2-Strand Oven Chain Preventive Maintenance

WARNING

- Before attempting any maintenance on this equipment all involved personnel should follow plant internal regulations along with any state, federal, or province regulations.
- The maintenance inspection, checks, and procedures listed in the preventive maintenance tables are assumed with the gated area electrically locked out.
- Before attempting any maintenance or service operation, make sure that:
 - You do not begin any repair procedure until the proper shutdown procedures and the appropriate power lockout procedures have been applied.
 - The system is de-energized; main electrical switches are open.

NOTICE

The maintenance inspection, checks, and procedures listed in the preventive maintenance tables and corrective procedures should be performed when the equipment is immobilized and locked out.

This section contains preventive maintenance schedules with recommended lubrication intervals. Assemblies in this section include:

- **2-Strand Oven Chain**
- **2-Strand Oven Chain Drive Unit**
- **2-Strand Oven Chain Take-Up Unit**

Daily Checks

Observe

- Obvious signs of damage to the equipment. Listen to the conveyors - an unusual sound like screeching, grinding, or whining, are indicators of a problem.
- Damage or noticeable wear on the carrying and guide rollers.
- Signs of oil leaks on the equipment or on the floor below any gearbox.

Evaluate


- If you notice any of the above issues, evaluate the cause and the risk involved.

Act

- Schedule or perform necessary maintenance repairs as appropriate.

Mechanical Preventive Maintenance - key

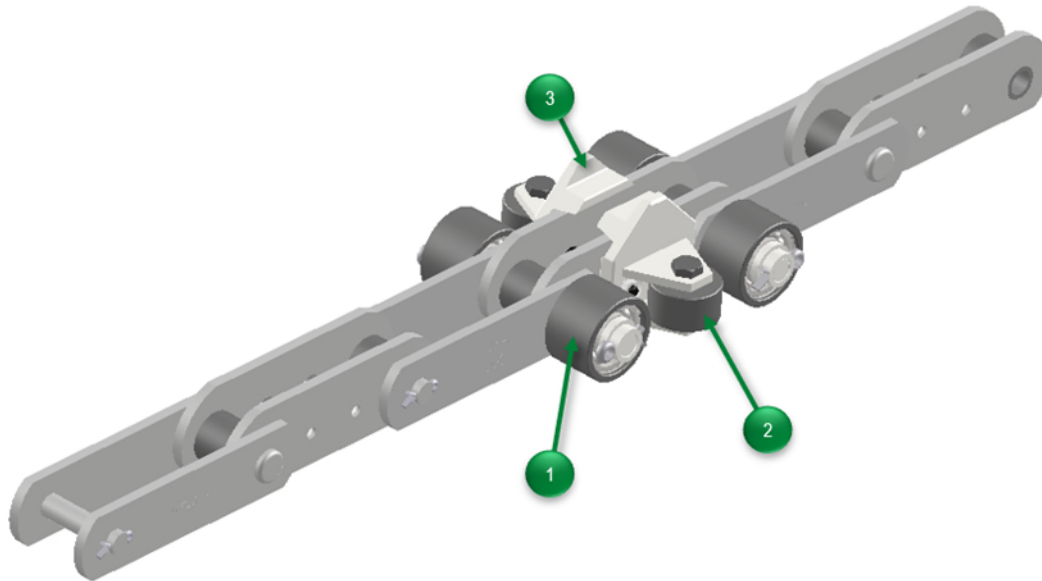
Preventive Maintenance tables consists of:



Item No.	Item Name	Required Operation	Description	Interval
1	Gearmotor	Inspection	<ul style="list-style-type: none"> Visually inspect gear unit for oil leakage. Check for oil film or grease deposits – clean if necessary. Check mounting hardware, check paint marks... 	6 Months

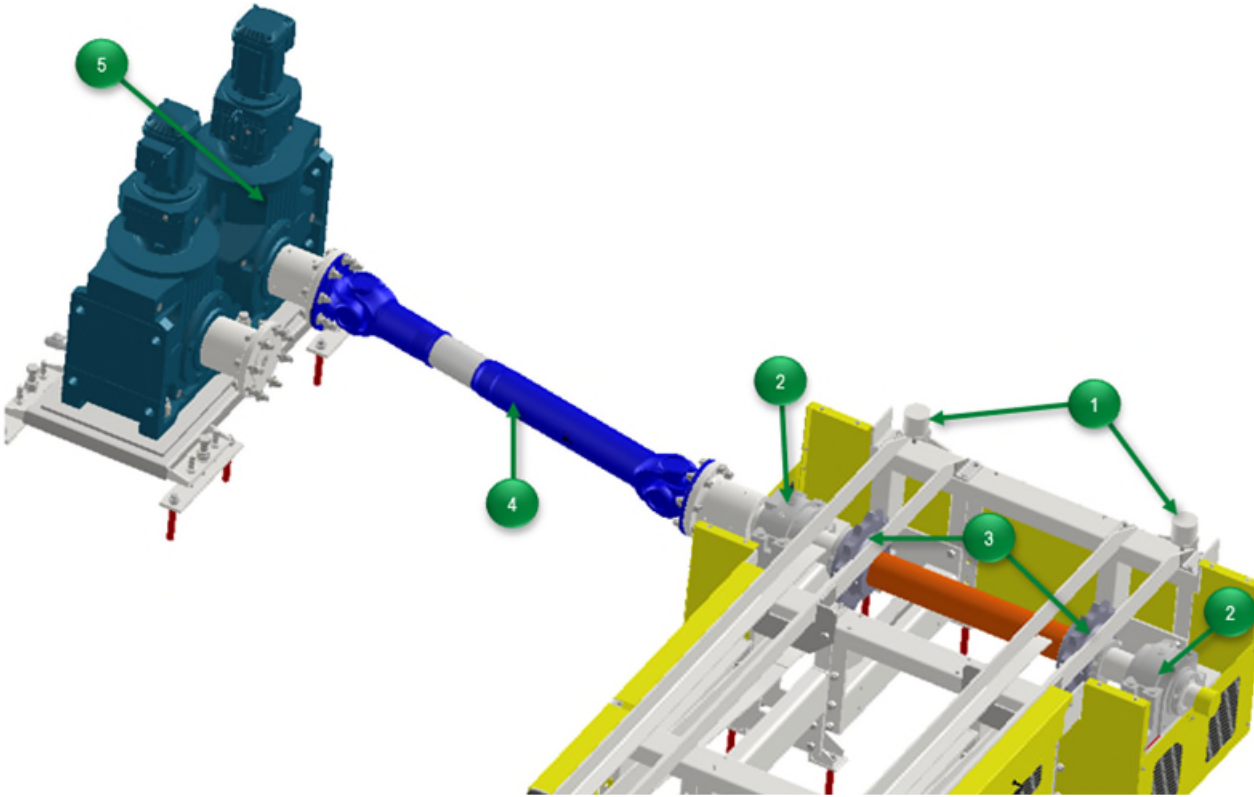
- A. Indicates the callout number associated on the schematic drawing, image or figure.
- B. Component name within the assembly.
- C. Required preventive maintenance operation - i.e., inspection or lubrication.
- D. Detailed description of the operation(s) to be performed.
- E. Recommended frequency of PM task.

2-Strand Oven Chain Preventive Maintenance



Item No.	Item Name	Required Operation	Description	Interval
-	Chain Tension	Inspection	<ul style="list-style-type: none"> • Visually inspect the chain for excessive slack and adjust tension if necessary. • Remove chain links if unable to adjust tension further. • Check pressure is within standard operation range 35-40psi. Reset to 35psi if necessary. 	3 Months
1	Roller	Inspection	<ul style="list-style-type: none"> • Check for smooth operation, free from obstruction. 	6 Months
2	Guide Roller	Inspection	<ul style="list-style-type: none"> • Check for smooth operation, free from obstruction. 	
3	Skid Guide	Inspection	<ul style="list-style-type: none"> • Check for excessive wear. 	

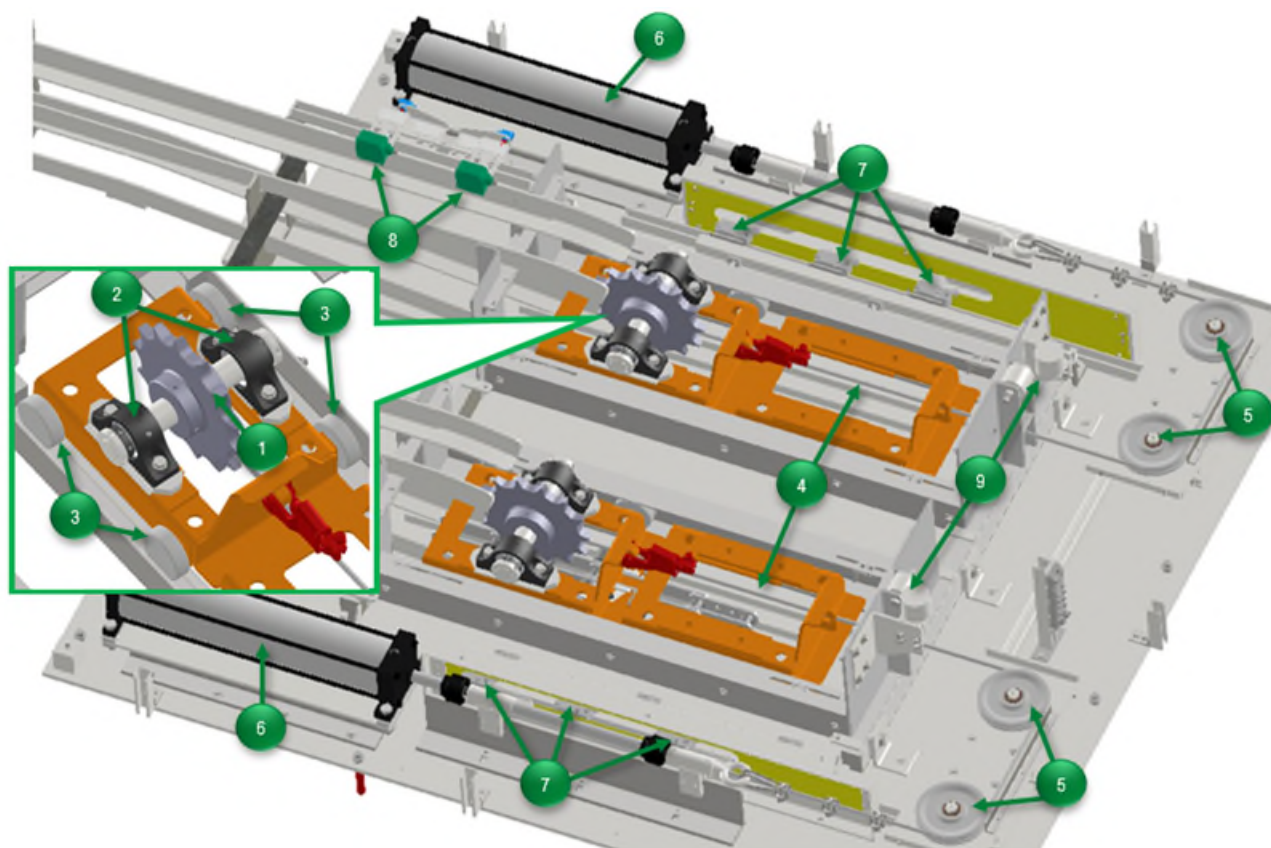
2-Strand Oven Chain Drive Unit Preventive Maintenance



Item No.	Item Name	Required Operation	Description	Interval
-	Drip Pan	Inspection	<ul style="list-style-type: none"> Check the level of oil in the pan. Drain if necessary. 	3 Months
1	Roller	Inspection	<ul style="list-style-type: none"> Check for excessive wear or abrasions. Replace if necessary. 	
		Lubrication	<ul style="list-style-type: none"> Grease directly with grease gun, or manifold if present. To apply grease, carefully pump grease into the zerk fitting. 	
2	Split Block Bearing	Inspection	<ul style="list-style-type: none"> Check mounting hardware for proper tightness. Look for paint mark alignment on hardware – retighten if necessary. Check for housing damage. Check for binding or sticking in the bearing housing. Check alignment of the shaft between bearings. 	6 Months
		Lubrication	<ul style="list-style-type: none"> Grease directly with grease gun, or manifold if present. To apply grease, carefully pump grease into the zerk fitting. Bearing is fully lubricated when you see grease squeeze out around shaft. Clean off all excess grease. 	

Item No.	Item Name	Required Operation	Description	Interval
3	Drive Sprocket	Inspection	<ul style="list-style-type: none"> Check tooth side and tooth depth for wear line. If abnormal wear present, examine chain wheel for misalignments or cross-settings. 	6 Months
4	Cardan Shaft	Inspection	<ul style="list-style-type: none"> Inspect all connections and make sure they are secure, check all paint marks. Retighten as necessary. Inspect shaft and flanges for any cracks or damage, replace if damage is found. 	3 Months
		Lubricate	<ul style="list-style-type: none"> Use a grease gun to apply grease, carefully pump grease into the zerk fitting. Coupling is fully lubricated when you see grease leak from all four seals. Clean off all excess grease. 	
5	Gearmotor	Inspection	<ul style="list-style-type: none"> Use the oil sight glass or remove the oil level plug to check the level of oil. Check that all electrical connections are secure. If loose, tighten. Check the electrical connections for evidence of arcing. If evidence of arcing has occurred, replace the damage connection. 	6 Months
		Lubrication	<ul style="list-style-type: none"> Replace the oil in the gearbox after 3 years of use. 	36 Months

2-Strand Oven Chain Take-Up Unit Preventive Maintenance



Item No.	Item Name	Required Operation	Description	Interval
-	Drip Pan	Inspection	<ul style="list-style-type: none"> Check the level of oil in the pan. Drain if necessary. 	3 Months
1	Take-Up Sprocket	Inspection	<ul style="list-style-type: none"> Check tooth side and tooth depth for wear line. If abnormal wear present, examine chain wheel for misalignments or cross-settings. 	6 Months
2	Pillow Block Bearing	Inspection	<ul style="list-style-type: none"> Check mounting hardware for proper tightness. Look for paint mark alignment on hardware – retighten if necessary. Check for housing damage. Check for binding or sticking in the bearing housing. Check alignment of the shaft between bearings. 	
		Lubrication	<ul style="list-style-type: none"> Grease directly with grease gun, or manifold if present. To apply grease, carefully pump grease into the zerk fitting. Bearing is fully lubricated when you see grease squeeze out around shaft. Clean off all excess grease. 	

Item No.	Item Name	Required Operation	Description	Interval
3	Float Frame Roller	Inspection	<ul style="list-style-type: none"> • Check for abrasion or wear marks. • Adjust chain tension if necessary. 	6 Months
		Lubrication	<ul style="list-style-type: none"> • Grease directly with grease gun, or manifold if present. To apply grease, carefully pump grease into the zerk fitting. • Clean off all excess grease. 	
4	Wire Rope	Inspection	<ul style="list-style-type: none"> • Check rope connection for proper seating and attachment at anchor point. • Check for significant distortion of the wire rope structure such as kinking, crushing, unstranding, birdcaging, signs of core failure or steel core protrusion between the outer strands. • Make sure all wire rope clamps are secure. 	
5	Pulley	Inspection	<ul style="list-style-type: none"> • Check for unobstructed movement of wire. • Check mounting hardware for proper tightness. Look for paint mark alignment on hardware – retighten if necessary. 	
		Lubrication	<ul style="list-style-type: none"> • Grease directly with grease gun, or manifold if present. To apply grease, carefully pump grease into the zerk fitting. • Clean off all excess grease. 	
6	Cylinder	Inspection	<ul style="list-style-type: none"> • Check for excessive free play, noise or binding 	
7	Tension Limit Switch	Inspection	<ul style="list-style-type: none"> • Check for proper operation and secure mounting. • Check that cables are connected securely. 	
8	Prox Switch	Inspection	<ul style="list-style-type: none"> • Check for proper operation and secure mounting. • Check that cables are connected securely. 	
9	Guide Roller	Inspection	<ul style="list-style-type: none"> • Check for excessive wear or abrasions. Replace if necessary. 	

Lubrication Requirements - Gearmotor Oil Lubrication

Gearmotor oil can be determined by reading the attached data plates on each gearmotor. The examples below highlight the location to observe the required oil on the data plates. Do not mix oil grades when adding oil. Refer to the manufacturer's instruction manual for additional service requirements and technical data.

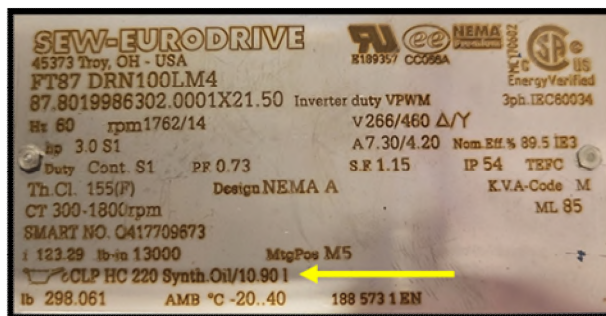
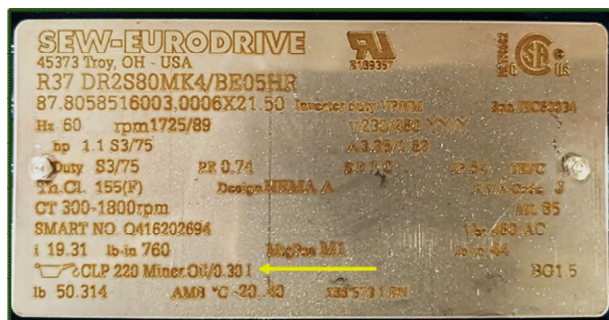
NOTICE

If you are doing a lubricant drain and refill, gearmotor manufacturers typically recommend that you use the same brand of lubricant originally supplied. If you are refilling the gearbox with a non-compatible lubricant, FATA recommends that you first remove any residual with a petroleum solvent or a hot water wash.

CAUTION

Do not use trichloroethylene as a washing solvent.

Data plates on the gearmotors identify the oil type and quantity that they use.



Gearmotor Data Plate Examples

Lubrication Requirements - Bearing Grease

The table below lists the plant approved lubricants to use in conveyor components that need lubrication.

Plant Approved Lubrication Chart

Lubrication Name	Manufacturer	Conveyor Asset	Application Points
<i>See complete manual for plant approved lubricants.</i>			

Re-Lubrication Best Practices:

- Always clean the grease fitting of all dirt before attaching the grease gun. Failure to clean the grease fitting before applying grease could result in introducing contaminants into the component resulting in increased wear or clogging the grease fitting orifice so as not to allow the entry of grease. Inspect and replace damaged fittings. It is helpful to use grease-fitting caps to keep them clean, but still wipe fittings clean before applying grease.
- Always make sure the dispensing nozzle of the grease gun is clean before using. Pump a small amount of grease out of the dispensing nozzle, then wipe the nozzle off with a clean rag or lint-free cloth before attaching it to the grease fitting.
- Do NOT over lubricate or apply excessive amounts of grease. This could lead to ruptured seals and excessive grease outside the fitting, which can attract contamination as well as create a mess on the machine.
- Know that some greases are not compatible with each other. Ensure that the proper grease is used at every grease point. Applying the wrong grease can cause an incompatibility problem which can quickly cause bearing failure.
- Once relubrication service is complete, clean off old grease and contaminants from the boot, grease/zerk fitting and surrounding components.