

Pivot Table Wet Application Maintenance & Service

This section will describe service procedures for major mechanical elements of a pivot table.

⚠ WARNING ⚠

- Only qualified and trained personnel should perform the disassembly and assembly of electrical and mechanical components.
- Before attempting any maintenance on this equipment all involved personnel should follow plant internal regulations along with any state, federal, or province regulations. Do not begin any repair procedure until the proper shutdown procedures and the appropriate power lockout procedures have been applied.

How to Replace a Gearmotor

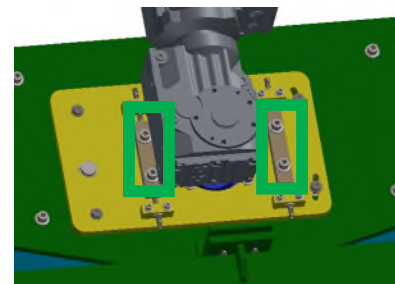
- 1 Remove and lock out power to the shuttle using your plant's procedures.



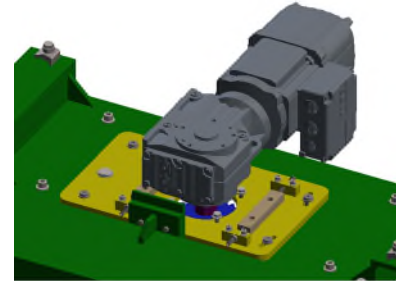
- 2 Disconnect the cables from the gearmotor.



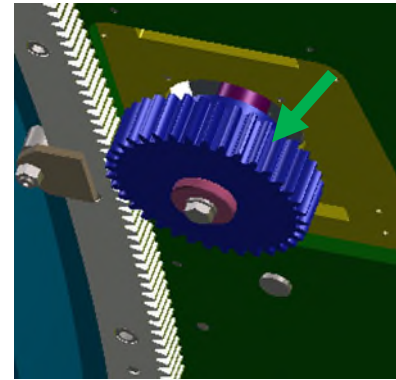
- 3 Loosen the M10 bolts in the motor mount and remove the bracket below.



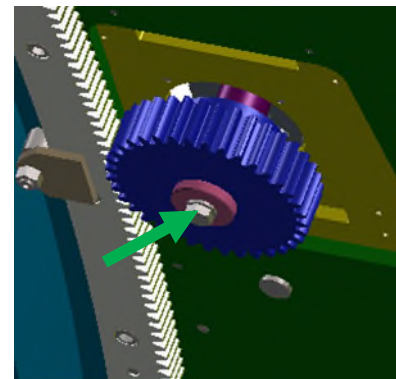
- 4 Remove the gearmotor assembly from the mounting place.



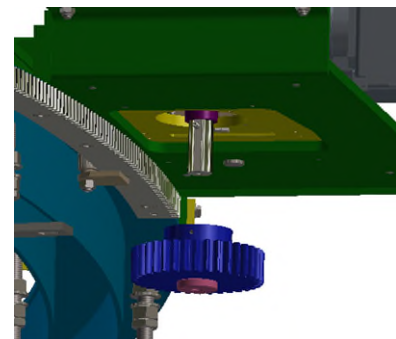
- 5 Remove the set screws from the pinion gear.



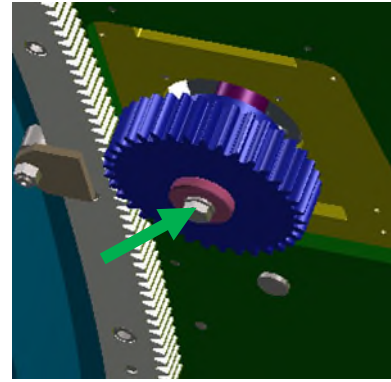
- 6 Remove the M12 bolt from the gearmotor shaft.



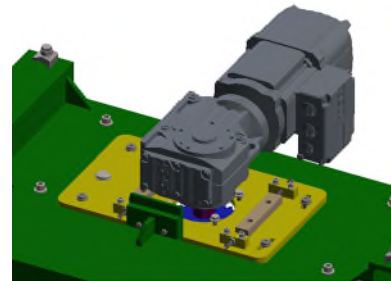
- 7 Remove the pinion gear from the original gearmotor shaft and install on the new gearmotor.



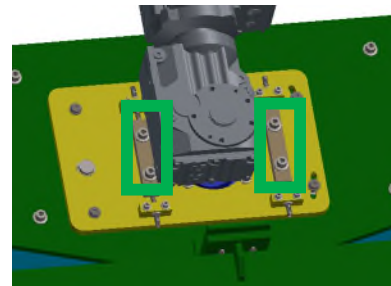
- 8 Install new gearmotor with pinion gear and secure the M12 bolt.



- 9 Mount new gearmotor assembly on the mounting plate.



- 10 If necessary, use the adjustment screws to adjust the motor fore and aft to set the proper distance between the pinion gear and the rack. Tighten the motor mount screws to torque specs.



- 11 Reconnect the cables to the new gearmotor.



- 12 Complete restore power procedure and verify proper function.



Replacing the Idle Wheel

- 1 Remove any payload from the pivot/turn table.



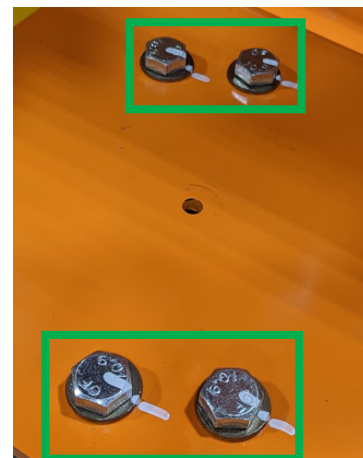
- 2 Remove and lockout all power sources to the area.



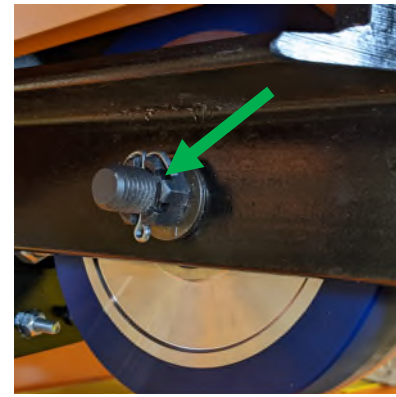
- 3 Raise the end of the trolley slightly using a hoisting device (chain hoist or jack), until the idle wheel is just off the rail. Do not lift further than to this point.



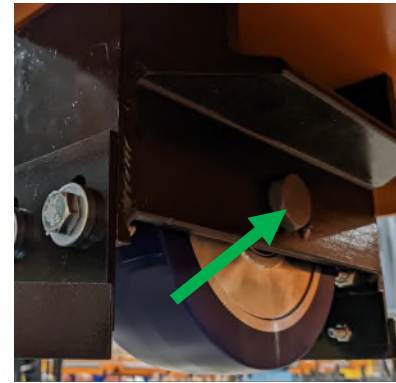
- 4 Loosen and remove the four screws holding the idle wheel block to the trolley and transfer the idle wheel block to a work bench.



- 5 Remove the cotter pin holding the slotted nut in place.
Loosen and remove the nut.



- 6 Remove the M25 shoulder screw that serves as the axle for the idle wheel.

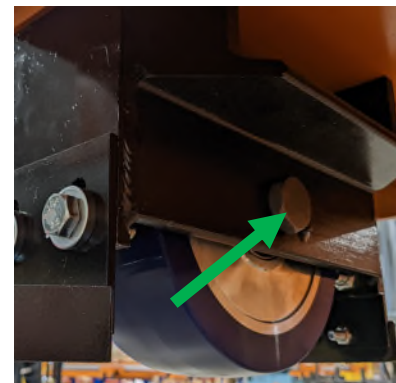


Replace the idle wheel.

- 7 **Note:** Be aware that there are two spacers – not shown in the figure – that fit in between the wheel and the block that you will need to re-use.

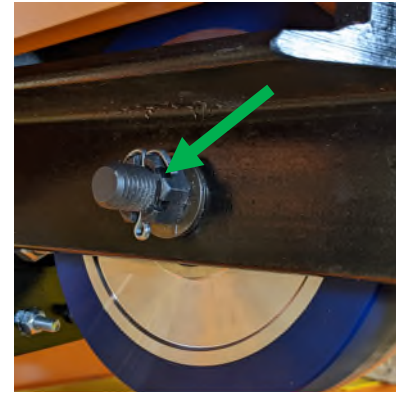


- 8 Insert the M25 shoulder screw. Screw on and snug up the hex nut.



Insert the cotter pin to lock the hex nut in place.

- 9** *Note: If you are using a new M25 shoulder screw, bore new hole for the cotter pin.*



Install and secure the idle wheel block onto the trolley with the four screws and washers from step 0. Apply removable Loctite onto the screws before inserting and tighten these screws to 330 Nm.

10



- 11** Lower the trolley back onto the rail.



- 12** Complete restore power procedure and verify proper function.

