

# Vertical Drop Lifter Preventive Maintenance

## ⚡ ⚠ WARNING ⚠ ⚡

- Before attempting any maintenance on this equipment all involved personnel should follow plant internal regulations along with any state, federal, or province regulations.
- The maintenance inspection, checks, and procedures listed in the preventive maintenance tables are assumed with the gated area electrically locked out.
- Before attempting any maintenance or service operation, make sure that:
  - You do not begin any repair procedure until the proper shutdown procedures and the appropriate power lockout procedures have been applied.
  - The system is de-energized; main electrical switches are open.

## ⓘ NOTICE ⓘ

The maintenance inspection, checks, and procedures listed in the preventive maintenance tables and corrective procedures should be performed when the equipment is immobilized and locked out.

This section contains preventive maintenance schedules with recommended lubrication intervals. Assemblies in this section include:

- **VDL Drum Assembly**
- **VDL Carriage Frame**
- **VDL Carriage Counterweight**
- **VDL Carriage Bed**
- **VDL Drive Assembly**

## Daily Checks

### Observe

- Obvious signs of damage to the equipment. Listen to the conveyors - an unusual sound like screeching, grinding, or whining, are indicators of a problem.
- Damage or noticeable wear on the carrying and guide rollers.
- Signs of oil leaks on the equipment or on the floor below any gearbox.

### Evaluate


- If you notice any of the above issues, evaluate the cause and the risk involved.

### Act

- Schedule or perform necessary maintenance repairs as appropriate.

## Mechanical Preventive Maintenance - key

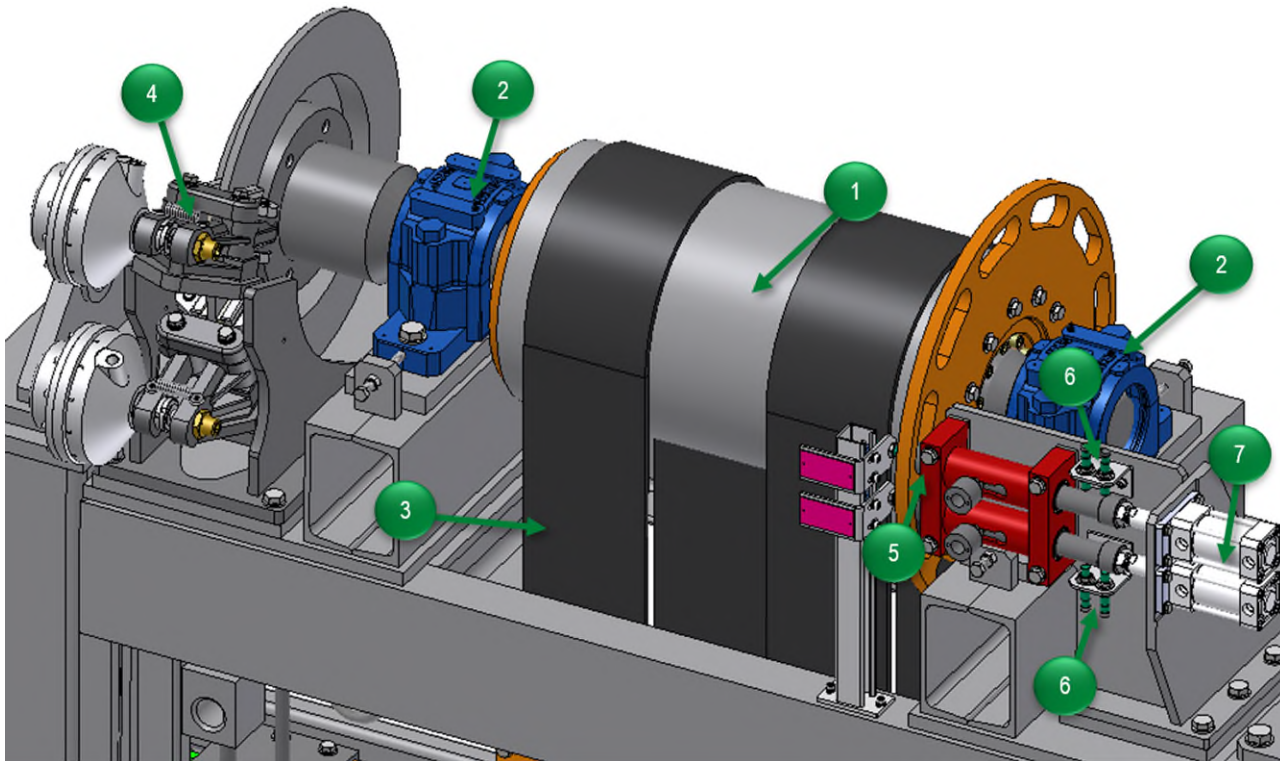
Preventive Maintenance tables consists of:



Item No.	Item Name	Required Operation	Description	Interval
1	Gearmotor	Inspection	<ul style="list-style-type: none"> <li>Visually inspect gear unit for oil leakage. Check for oil film or grease deposits – clean if necessary.</li> <li>Check mounting hardware, check paint marks...</li> </ul>	6 Months

- A. Indicates the callout number associated on the schematic drawing, image or figure.
- B. Component name within the assembly.
- C. Required preventive maintenance operation - i.e., inspection or lubrication.
- D. Detailed description of the operation(s) to be performed.
- E. Recommended frequency of PM task.

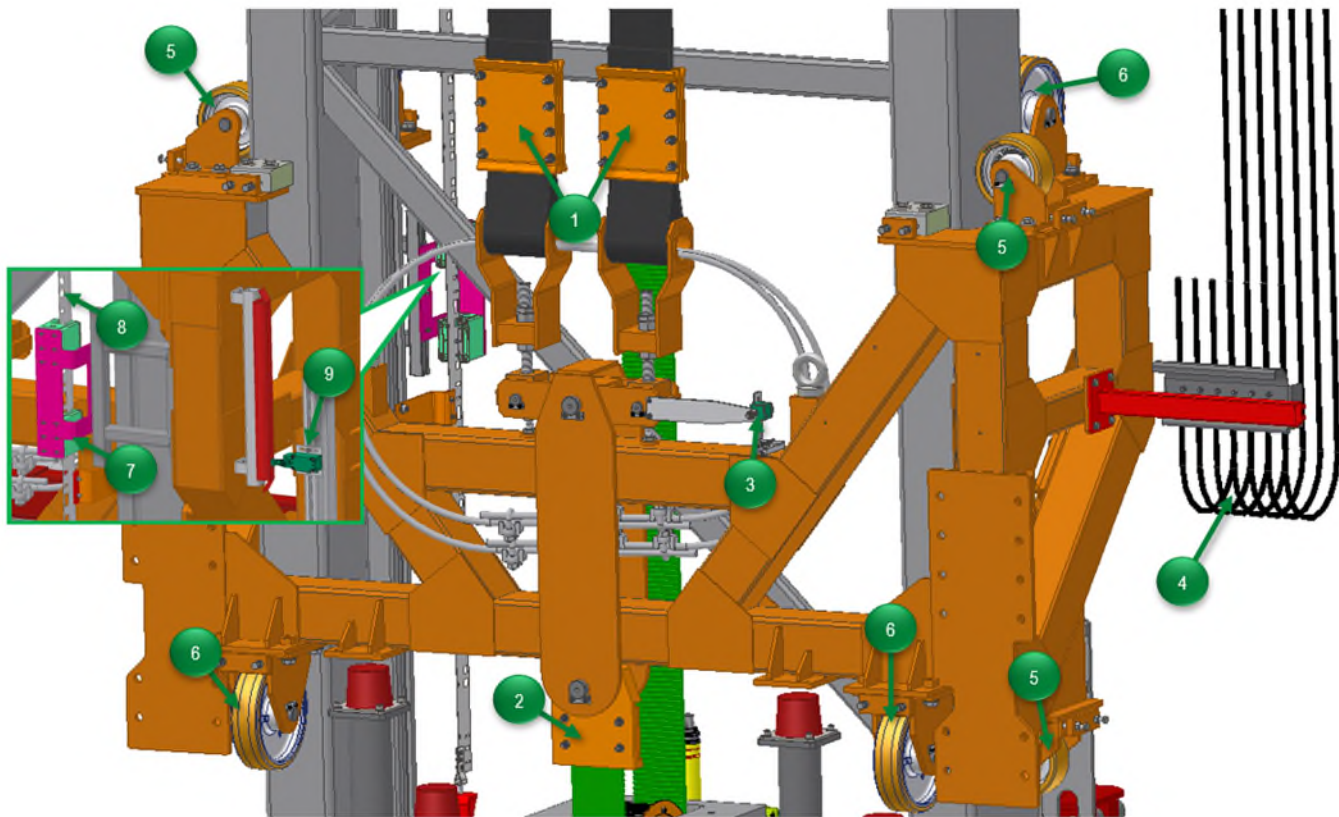
# VDL Drum Assembly Preventive Maintenance Items



Item No.	Item Name	Required Operation	Description	Interval
1	Drum	Inspection	<ul style="list-style-type: none"> <li>Check surface for any damage that could affect lifting belts.</li> <li>Verify that the belt drum has not shifted position – 122.5mm +/-0.5mm from edge of drum to centerline of the bearing on the brake side.</li> </ul>	6 Months
2	Bearing	Inspection	<ul style="list-style-type: none"> <li>Check mounting hardware for proper tightness. Look for paint mark alignment on hardware – retighten if necessary.</li> <li>Check for housing damage.</li> <li>Check for binding or sticking in the bearing housing.</li> <li>Check alignment of the shaft between bearings.</li> </ul>	
		Lubrication	<ul style="list-style-type: none"> <li>Use the hole in the center of the cap to relubricate spherical roller bearings via the lubrication groove in the outer ring.</li> <li>If possible, rotate the shaft when applying grease for better grease distribution.</li> <li>Make sure the bearing is sufficiently centered when relubricating.</li> </ul>	

Item No.	Item Name	Required Operation	Description	Interval
3	Lifting Belt	Inspection	<ul style="list-style-type: none"> <li>Index the lift. Check that belts run freely and without excessive noise</li> <li>Check for excessive fraying on belt edges and for any exposed reinforcing wires.</li> </ul>	<b>6 Months</b>
4	Disc Brakes	Inspection	<ul style="list-style-type: none"> <li>Check that the brakes are clean and dry for proper functioning.</li> <li>Ensure that the friction pad and the disc are not contaminated by oil or grease.</li> <li>Check the wear of pads. Replace if the pads are more than 5mm worn.</li> </ul>	
5	Pin and Bushing	Inspection	<ul style="list-style-type: none"> <li>Check pins and bushings for cleanliness and damage.</li> </ul>	
6	Proximity Switches	Inspection	<ul style="list-style-type: none"> <li>Check switches for secure mounting and proper operation.</li> </ul>	
7	Air Cylinder	Inspection	<ul style="list-style-type: none"> <li>Check that pneumatic connections are secure.</li> </ul>	

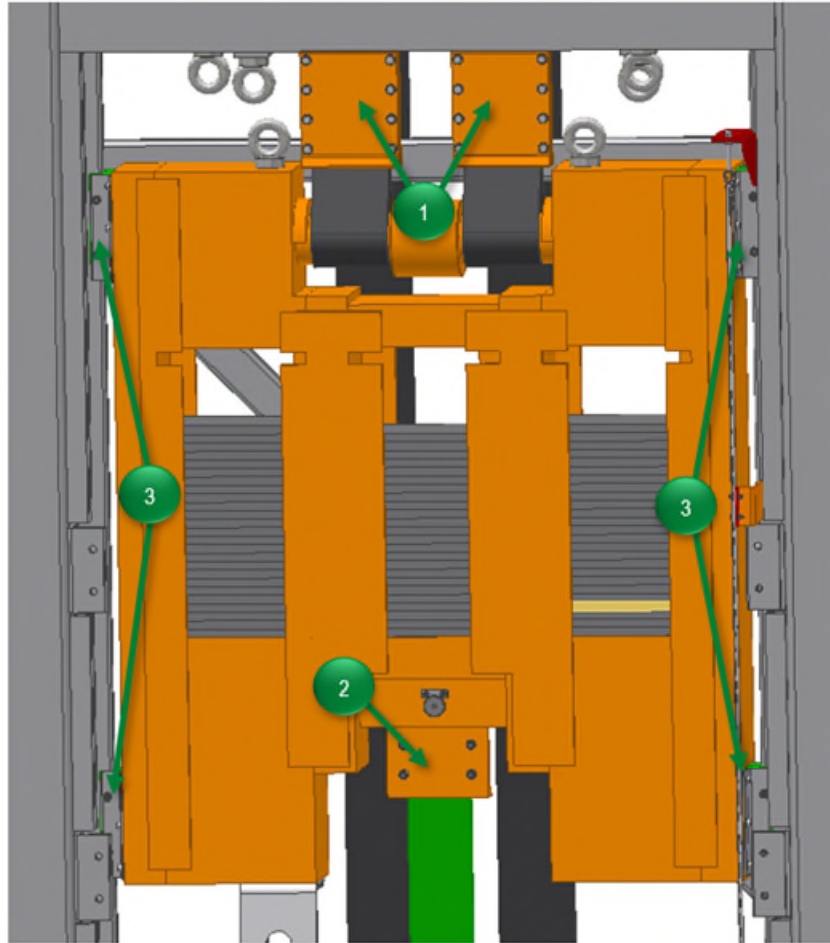
# VDL Carriage Frame Preventive Maintenance Items



Item No.	Item Name	Required Operation	Description	Interval
1	Lift Belt Connection Plate	Inspection	<ul style="list-style-type: none"> <li>Check the M12 screws are secure on the belt clamping plate. Tighten if loose.</li> </ul>	<b>6 Months</b>
2	Drive Belt Connection Plate	Inspection	<ul style="list-style-type: none"> <li>Check the M10 screws are secure on the belt clamping plate. Tighten if loose.</li> </ul>	
3	Belt Slack/ Break Detection Switch	Inspection	<ul style="list-style-type: none"> <li>Check the slack/break detection proximity switch for proper functionality.</li> <li>Check that the switch and switch bracket is secure.</li> </ul>	
4	Flex Cables	Inspection	<ul style="list-style-type: none"> <li>Check flexible cables for secure connection, for wear, excessive cracks, exposed wire or burnt jacket.</li> </ul>	
5	Side Guide Roller	Inspection	<ul style="list-style-type: none"> <li>Check guide roller for ease of movement and for bearing noise.</li> <li>Check that the guide roller is properly secured to roller bracket weldment.</li> <li>Verify that there is a gap between the wheel and frame (maximum 2mm).</li> </ul>	

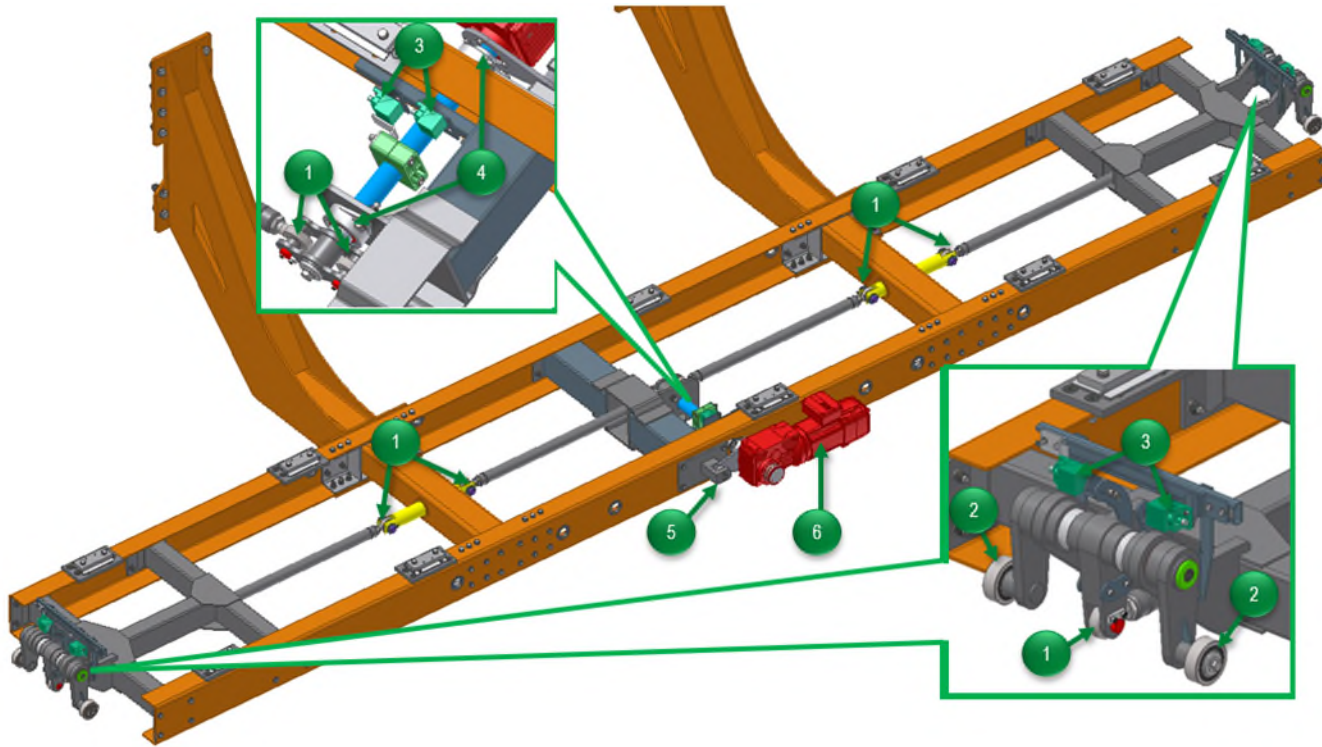
Item No.	Item Name	Required Operation	Description	Interval
6	Guide Wheels	Inspection	<ul style="list-style-type: none"> <li>• Check wheel for abnormal wear, and/or cracks. Examine for side and face cracks.</li> <li>• The wheel should be re-placed if the tread is worn or abraded to less than half of the original thickness.</li> </ul>	<b>6 Months</b>
-	Side Guide Roller / Guide Wheel	Lubrication	<ul style="list-style-type: none"> <li>• Carefully pump grease into the zerk fitting.</li> <li>• Fully lubricated when a little grease runs out of the bearing. Clean off all excess grease.</li> </ul>	<b>12 Months</b>
7	Code Rail Reader Head	Inspection	<ul style="list-style-type: none"> <li>• Verify functionality. Clean lens with soft cloth. Check reader head assembly is secure.</li> </ul>	<b>6 Months</b>
8	Code Rail	Inspection	<ul style="list-style-type: none"> <li>• Verify that code rail is clean and not damaged.</li> <li>• Verify alignment and tension. Adjust tension at the base of the rail if necessary.</li> <li>• Check bolts are tightened.</li> </ul>	
9	Over-travel Limit Switch	Inspection	<ul style="list-style-type: none"> <li>• Check the over-travel limit switch for functionality. Verify arm is not loose or damaged.</li> <li>• Check the over-travel switch assembly bracket and switch actuator are secure.</li> </ul>	

## VDL Carriage Counterweight Preventive Maintenance Items



Item No.	Item Name	Required Operation	Description	Interval
1	Lift Belt Connection Plate	Inspection	<ul style="list-style-type: none"> <li>Check the M12 screws are secure on the belt clamping plate. Tighten if loose.</li> </ul>	<b>6 Months</b>
2	Drive Belt Connection Plate	Inspection	<ul style="list-style-type: none"> <li>Check the M10 screws are secure on the belt clamping plate. Tighten if loose.</li> <li>Check drive belt teeth are aligned properly with the connection plate.</li> </ul>	
3	Wear Guides	Inspection	<ul style="list-style-type: none"> <li>Check guide pads for smooth operation and surface damage. Replace as necessary.</li> </ul>	

# VDL Carriage Bed Preventive Maintenance Items

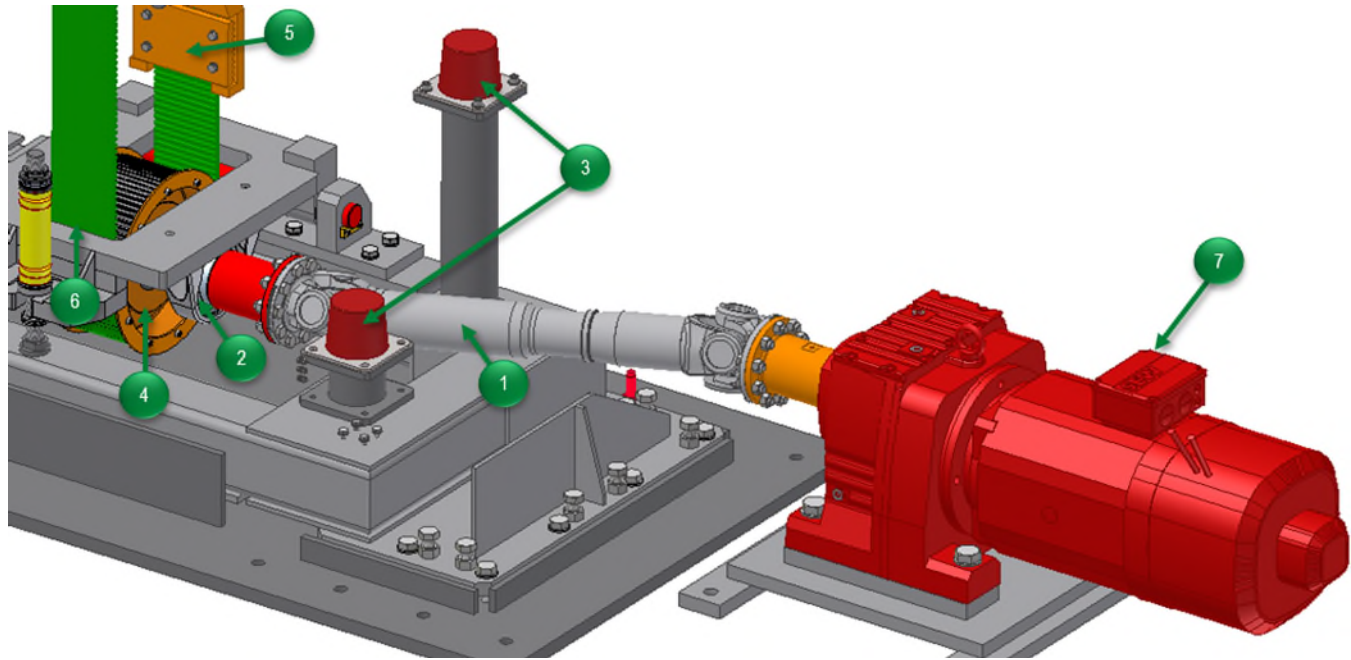


Item No.	Item Name	Required Operation	Description	Interval
1	Rod End	Inspection	<ul style="list-style-type: none"> <li>Check for excessive free play noise or binding. Replace as required.</li> </ul>	<b>6 Months</b>
2	Support Rollers	Inspection	<ul style="list-style-type: none"> <li>Check the support roller and the rolling surface for damage or abnormal wear. Replace as necessary.</li> </ul>	
3	Proximity Switches	Inspection	<ul style="list-style-type: none"> <li>Check for proper operation and secure mounting.</li> </ul>	
4	Flange Bearing	Inspection	<ul style="list-style-type: none"> <li>Check mounting hardware for proper tightness. Look for paint mark alignment on hardware – retighten if necessary.</li> <li>Check for housing damage.</li> <li>Check for binding or sticking in the bearing housing.</li> <li>Check alignment of the shaft between bearings.</li> </ul>	
		Lubrication	<ul style="list-style-type: none"> <li>Grease directly with grease gun, or manifold if present. To apply grease, carefully pump grease into the zerk fitting.</li> <li>Bearing is fully lubricated when you see grease squeeze out around shaft. Clean off all excess grease.</li> </ul>	



Item No.	Item Name	Required Operation	Description	Interval
5	Gearmotor Mount	Inspection	<ul style="list-style-type: none"> <li>Inspect that the bolt holding the gearmotor is secure.</li> </ul>	6 Months
6	Gearmotor	Inspection	<ul style="list-style-type: none"> <li>Use the oil sight glass or remove the oil level plug to check the level of oil.</li> <li>Check that all electrical connections are secure. If loose, tighten.</li> <li>Check the electrical connections for evidence of arcing. If evidence of arcing has occurred, replace the damage connection.</li> </ul>	
		Lubrication	<ul style="list-style-type: none"> <li>Replace the oil in the gearbox after 3 years of use.</li> </ul>	36 Months

# VDL Drive Assembly Preventive Maintenance Items



Item No.	Item Name	Required Operation	Description	Interval
1	Cardan Shaft	Inspection	<ul style="list-style-type: none"> <li>Inspect all connections and make sure they are secure, check all paint marks. Retighten as necessary.</li> <li>Inspect shaft and flanges for any cracks or damage, replace if damage is found.</li> </ul>	3 Months
		Lubrication	<ul style="list-style-type: none"> <li>Use a grease gun to apply grease, carefully pump grease into the zerk fitting.</li> <li>Coupling is fully lubricated when you see grease leak from all four seals. Clean off all excess grease.</li> </ul>	
2	Pillow Block Bearing	Inspection	<ul style="list-style-type: none"> <li>Check mounting hardware for proper tightness. Look for paint mark alignment on hardware – retighten if necessary.</li> <li>Check for housing damage.</li> <li>Check for binding or sticking in the bearing housing.</li> <li>Check alignment of the shaft between bearings.</li> </ul>	6 Months
		Lubrication	<ul style="list-style-type: none"> <li>Grease directly with grease gun, or manifold if present, carefully pump grease into the zerk fitting.</li> <li>Bearing is fully lubricated when you see grease leak around shaft. Clean off all excess grease.</li> </ul>	

Item No.	Item Name	Required Operation	Description	Interval
3	Bumper	Inspection	<ul style="list-style-type: none"> <li>Check bumpers for wear and excessive cracks.</li> </ul>	<b>6 Months</b>
4	Drive Belt Pulley	Inspection	<ul style="list-style-type: none"> <li>Index the lift and observe for smooth operation.</li> <li>Check for proper alignment with other pulleys and for any broken cogs.</li> </ul>	
5	Drive Belt Connection Plate	Inspection	<ul style="list-style-type: none"> <li>Check the M10 screws are secure on the belt clamping plate. Tighten if loose.</li> <li>Check drive belt teeth are aligned properly with the connection plate.</li> </ul>	
6	Drive Belt	Inspection	<ul style="list-style-type: none"> <li>Index the lift. Check that belt runs freely and without excessive noise</li> <li>Check for excessive fraying on belt edges and for broken teeth.</li> <li>Check for proper tension.</li> </ul>	
7	Gearmotor	Inspection	<ul style="list-style-type: none"> <li>Use the oil sight glass or remove the oil level plug to check the level of oil.</li> <li>Check that all electrical connections are secure. If loose, tighten.</li> <li>Check the electrical connections for evidence of arcing. If evidence of arcing has occurred, replace the damage connection.</li> </ul>	
		Lubrication	<ul style="list-style-type: none"> <li>Replace the oil in the gearbox after 3 years of use.</li> </ul>	<b>36 Months</b>

## Lubrication Requirements - Gearmotor Oil Lubrication

Gearmotor oil can be determined by reading the attached data plates on each gearmotor. The examples below highlight the location to observe the required oil on the data plates. Do not mix oil grades when adding oil. Refer to the manufacturer's instruction manual for additional service requirements and technical data.

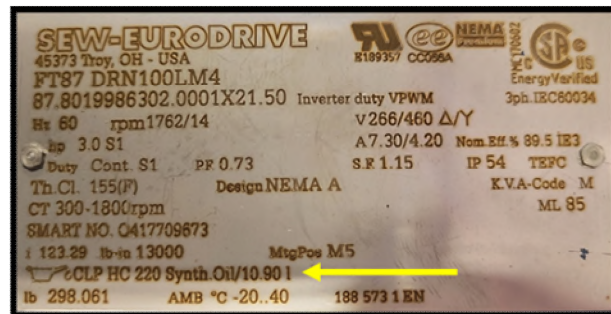
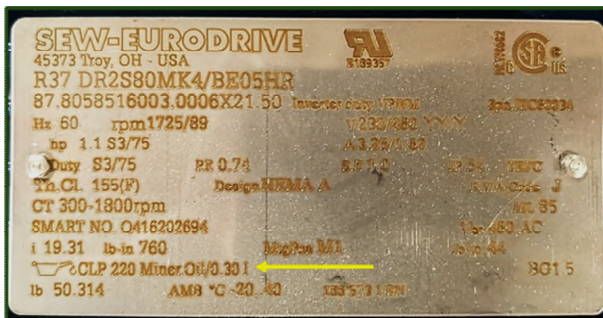
### NOTICE

If you are doing a lubricant drain and refill, gearmotor manufacturers typically recommend that you use the same brand of lubricant originally supplied. If you are refilling the gearbox with a non-compatible lubricant, FATA recommends that you first remove any residual with a petroleum solvent or a hot water wash.

### CAUTION

Do not use trichloroethylene as a washing solvent.

Data plates on the gearmotors identify the oil type and quantity that they use.



Gearmotor Data Plate Examples

## Lubrication Requirements - Bearing Grease

The table below lists the plant approved lubricants to use in conveyor components that need lubrication.

### Plant Approved Lubrication Chart

Lubrication Name	Manufacturer	Conveyor Asset	Application Points
<i>See complete manual for plant approved lubricants.</i>			

### Re-Lubrication Best Practices:

- Always clean the grease fitting of all dirt before attaching the grease gun. Failure to clean the grease fitting before applying grease could result in introducing contaminants into the component resulting in increased wear or clogging the grease fitting orifice so as not to allow the entry of grease. Inspect and replace damaged fittings. It is helpful to use grease-fitting caps to keep them clean, but still wipe fittings clean before applying grease.
- Always make sure the dispensing nozzle of the grease gun is clean before using. Pump a small amount of grease out of the dispensing nozzle, then wipe the nozzle off with a clean rag or lint-free cloth before attaching it to the grease fitting.
- Do NOT over lubricate or apply excessive amounts of grease. This could lead to ruptured seals and excessive grease outside the fitting, which can attract contamination as well as create a mess on the machine.
- Know that some greases are not compatible with each other. Ensure that the proper grease is used at every grease point. Applying the wrong grease can cause an incompatibility problem which can quickly cause bearing failure.
- Once relubrication service is complete, clean off old grease and contaminants from the boot, grease/zerk fitting and surrounding components.