

# Safety

This section describes safety precautions and practices recommended by FATA Automation, Inc. Fata Automation is not and does not represent ourselves as experts in safety systems, safety equipment or the specific safety aspects of your company and its workforce. In this manual we will convey guidelines and best practices regarding safety and general safe protocol for accessing and servicing our Conveyor systems. All plant specific safety rules, regulations and procedures must be followed.



Safety should be a primary concern for all personnel working in an industrial environment. Industrial machinery is capable of causing serious injury or death when operated improperly or when personnel are unaware of equipment status or are distracted.

Many safety features are built into controlling automated equipment. While safety features can minimize risk, the best way to prevent accidents is for everyone to be alert, safety conscious, knowledgeable about the equipment, and use common sense.

## **WARNING**

Under no circumstances should anyone be authorized or feel pressured to defeat, circumvent, remove, or tamper with access gates, guards, interlock devices, or other system safety features.

## **NOTICE**


This manual supplements but does not replace and/or supersede any company, industry, or government safety guidelines.

## Manual Advisory Labels - Key


Advisory labels appear in various locations throughout this manual to alert the user to important safety information. Observe all warnings and cautions to minimize the risk of personal injury. Avoid improper service methods that can damage the machine line or render it unsafe.

The symbols included in this manual have the following explanations:


### NOTICE

-  The presence of this symbol indicates a precaution to be taken during an operation or procedure. It may also include information that makes an operation easier to complete.


### CAUTION

-  The presence of this symbol indicates that the procedure or item being described may cause damage to the machine, assembly, or component. Follow all instructions to prevent this from occurring.

### WARNING

-  The presence of this symbol indicates that the operation, procedure or item described has the potential to cause severe injury or death. Use extreme caution and follow all safety guidelines when encountering this symbol. Failure to observe warnings may result in severe injury or death.

### WARNING

-  The presence of this symbol warns of electric shock hazard that may cause severe injury or death. Ensure that work on electrical equipment is done by trained and authorized personnel only, and that all instructions are strictly followed to prevent injuries and damage from occurring.

## General Safety Instructions

FATA Automation, Inc. strongly recommends that the following measures be taken to promote the safety of all personnel:

- To avoid injuries or damage, plant personnel should have access to this manual to understand proper use of the system.
- Before attempting any maintenance or service operation, ensure that:
  - Machines are at stop and safety lockout guidelines are followed.
  - The system is de-energized and the main electrical switches are open.
- Prior to system start-up, make sure that all safety devices are properly installed and working.
- Make sure that proper safety equipment (e.g., overalls, glasses, gloves, boots, and slings) is at hand and that the equipment is in good condition.
- Carefully follow the plant's safety regulations and signs posted on or near the system.
- Be aware of the signals when malfunction or danger occurs within the system, such as blinking lights or alarm horns. Inform maintenance whenever an alarm occurs.



### NOTICE

When making repairs, be sure to take all necessary precautions to prevent personal injury from loosened or unsupported machine parts.

- Visually locate power disconnects, emergency stop pull cords and push buttons before attempting to operate or repair any portion of the machine system.
- Be alert and safety conscious during operation.
- Obey all federal, state, or local safety laws, regulations, and guidelines.
- Never reach into operating equipment.
- Never attempt to perform any cleaning while equipment is in motion.
- Report any hydraulic oil or coolant leaks immediately. Correct any fluid leaks immediately and do not allow fluid to accumulate which will cause an area to become unsafe for working.
- Be sure that all protective guards are in place before the equipment is started.
- Never climb on equipment. This may damage the equipment, or cause a slip and fall accident resulting in bodily harm. Use only safety approved ladders.
- Be aware of conditions that may be a fire hazard, such as volatile liquids and machining materials with a low flash point.

## Electrical Safety

In order to safely work on the system, it should be electrically locked out. The main lockout point on the system is the main disconnect at the control panel. This only shuts off devices powered by this panel. Make sure any interlocked panels are shut down as well.

During maintenance, electrical power should be shut off and locked out unless it is specifically required for the maintenance activity being performed. Even then, power should be locked out until the specified step(s) where power is needed is reached. When power is no longer needed, lock it out again.

### **WARNING**

*Always* check for voltage before commencing work. Circuits may be powered from multiple sources.

### **WARNING**

*Always* use electrically insulated tools and other shock avoidance techniques. Do not allow your body to complete an electrical circuit.

### **CAUTION**

Remove brushes from rail before welding. Welding when brushes connected to ems system ground will damage the carriers control box.

### **WARNING**

USE THE PLANT REQUIRED LOCKOUT INSTRUCTIONS AND REFER TO THE LOCKOUT PLACARDS LOCATED ON THE FRONT OF THE PANEL DOORS TO DE-ENERGIZE THE PANEL AND EQUIPMENT CORRECTLY.

- Only qualified personnel shall perform electrical installation and maintenance.
- Ensure the performance of electrical work conforms to National Electrical Codes and local regulations.
- Disconnect electrical power before working inside control enclosures and refer to the lockout placards located on the front of the panel.
- Equipment required to be energized for testing shall have an electrician present and all operators or personnel involved with the equipment must be aware of the testing.
- Bypassing a Safety Circuit in any manner will cause a hazardous condition and is prohibited.

## General Panel Lock-Out Procedure

You should lockout and tagout equipment...

- Anytime a guard or a safety device is removed.
- When a person must place any part of their body where it could be caught by moving parts.
- Before performing maintenance.
- Before making repairs.
- During troubleshooting procedures.
- During installation new equipment.
- During removal or rework of existing equipment.



### **ⓘ NOTICE ⓘ**

Always follow plant internal regulations along with any state, federal, or provincial regulations when locking out any machinery.

1. Alert operator(s), affected employees, and supervisors that the system / equipment is to be locked-out.
2. Perform an End of Cycle Hold procedure for an automatic system to bring the system to an idle state before power is removed
3. Turn off the point of operation by pressing system E-stop push button.
4. Turn off the main disconnect switch or switches for the specific machine(s).
5. Secure a lockout bar, safety lock and danger tag on the disconnect switch. Retain the key. Each person working on the equipment must place their own lockout bar, safety lock and danger tag on the disconnect switch.
6. Test the disconnect switch. Make sure it cannot be moved to the ON position.
7. Test the point of operation switch. Make sure power is really OFF. Ensure that the equipment is at a zero energy state.
8. Try to use a master start to ensure power is really OFF. Always check any high voltage connections with a voltmeter before handling wiring or changing fuses.
9. Where there is more than one point of power entry, apply an appropriate, separate lockout bar, safety lock, and danger tag at each point.
10. Lockout all mechanical equipment capable of sudden and unexpected movement. Ensure all mechanical equipment is at a zero-energy state before performing any checks or work on the equipment.

## General Release from Lock-Out Procedure

1. Ensure equipment is brought back to its original operational status.
2. Ensure the equipment is safe to operate.
3. Notify affected employees that the equipment is returning to service.
4. Re-install guards and other safety devices to insure proper and safe operation.
5. Remove any mechanical lockouts.
6. Remove lockout bar, safety lock and danger tag.
7. Re-energize the equipment. Always follow plant internal regulations along with any state, federal, or provincial regulations when starting up any machinery.

## Sample Safety Devices

### Machinery Guards

Machinery guards are used to protect workers from moving parts. Do not remove the guards unless service is being performed. Always replace guards when the service is complete.



### Emergency Stop Pushbutton

Emergency Stop (E-Stop) pushbuttons are present on HMIs throughout the system to remove electrical power from the system in the case of an emergency. Do not use an E-Stop to remove power unless it is an emergency, since damage to the system can occur.



### ***Light Curtains***

Devices that are used to safeguard personnel in the vicinity of moving machinery with the potential to cause harm. Light curtains can be used as an alternative to mechanical barriers and other forms of traditional machine guarding. By reducing the need for physical guards and barriers, light curtains can increase the maintainability of the equipment they are guarding.



### ***Safety Gate***

Conveyor servicing areas or platforms may be restricted with a safety gate. If you attempt to enter the restricted area without properly locking out; an alarm will sound, and the conveyor will shut down.



### ***Request to Cross Paths and Panels***

In order to safely cross areas of the plant where conveyor activity and walking areas coexist, personnel have to activate the “Request to Cross” button located on a panel at the entry point of the area. If you attempt to enter the restricted path without being granted access by the safety beacon changing from red to green, an alarm will sound, and the conveyor will shut down.



# Safety



Typical Lockout Tag

Safety should be a primary concern for all personnel working in an industrial environment. Industrial machinery can cause serious injury or death when workers improperly operate equipment, are distracted, or when they are not aware of current equipment status.

While many equipment safety features are built in to control automated equipment, the best way to prevent an accident is for everyone to stay alert, be safety conscious, and gain the necessary knowledge to safely operate the equipment, while applying common sense.

## ***When in doubt, LOCK IT OUT!***

You should Lock Out and Tagout equipment:

- Anytime a guard or a safety device is removed.
- When a person must place any part of their body where it could be caught by moving parts.
- Before performing maintenance.
- Before making repairs.
- During troubleshooting procedures.
- During installation new equipment.
- During removal or rework of existing equipment.

### NOTICE

Prior to performing service on a conveyance system, always follow internal plant, state, federal, or provincial regulations.

# Lift Table Safety

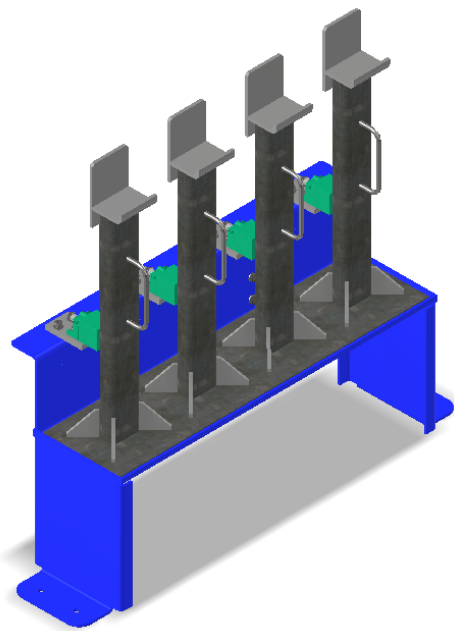
Whenever you are maintaining and/or servicing equipment, always mechanically secure the equipment, while performing the following procedure:

⚡ ⚠ **WARNING** ⚠ ⚡

Only qualified, trained personnel should assemble or disassemble electrical and/or mechanical components.

## Lift Table – Safety Components

Depending on the design, Lift Tables can make use of different safety features. The two most common features you will see are shown here:



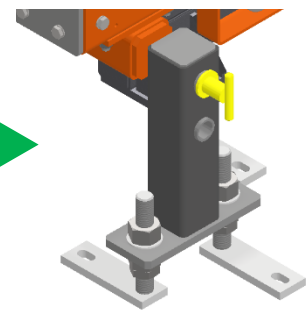
**Maintenance Stands**, also called “Stop Blocks,” are stands placed under the Power Roll Bed frame when the Lift Table is raised to its highest position.



**Safety Pins** are solid steel rods that are inserted into designated slots on the Lift Table frame when it is at its highest or lowest positions.

◀ A Safety Pin with slots directly on the frame

A Safety Pin sub-assembly ▶



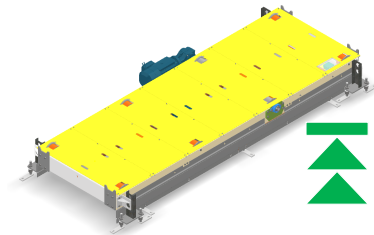
## Placing the Lift Table in the Maintenance Position

---

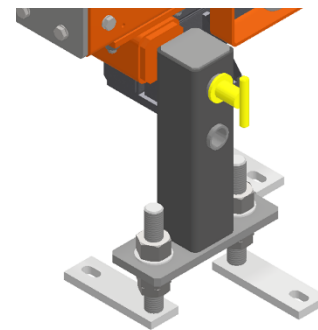
- 1 Remove any payload from the eccentric lift.



- 2 Move the lift to the full up position.



- 3 Place safety pins or maintenance stands in all designated locations (4 total) to lock lift position.



- 4 Cut and lock out power to the lift using your plant's safety procedures.



- 5 Remove any necessary safety covers.

